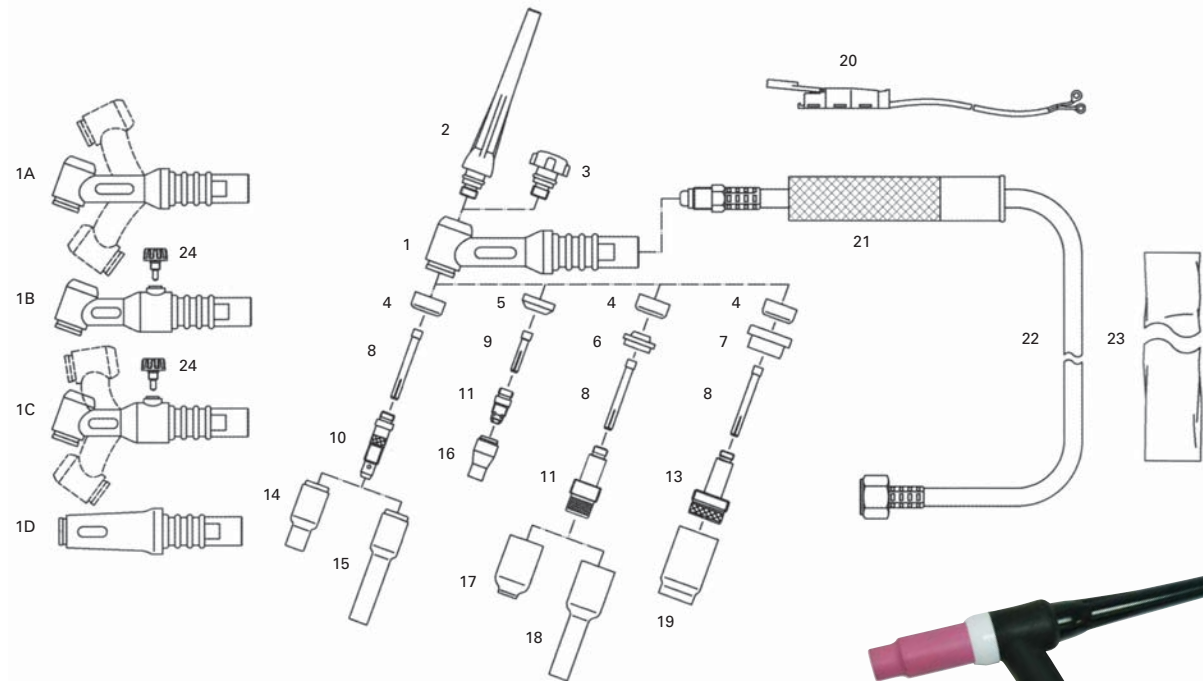


# TIG TORCHES & PARTS

## WP 26 SERIES AIR COOLED TIG TORCHES



Rating: 250A DC 160A AC Air Cooled | Duty Cycle: 60% | Electrodes Size: 0.5 - 3.2MM

No.	Description	No.	Description
	WP 26 Torch 7M - WP-26-1	11	Stubby Collet Body
	WP 26 Torch 7M - WP-26-2	12	Medium Gas Lens
1	Torch Body		- 1.6MM / 2.4MM / 3.2MM
1A	Torch Body (Flexible)	13	Large Long Gas Lens
1B	Torch Body (Valve)		- 1.6MM / 2.4MM / 3.2MM
1C	Torch Body (Flexible & Valve)	14	Ceramic Cup - 4# / 5# / 6# / 7# / 8# / 10#
1D	Torch Body (Pencil)	15	Extra Length Ceramic Cup - 5# / 6# / 7#
2	Long Back Cap	16	Short Ceramic Cup - 4# / 5# / 6# / 7# / 8#
3	Short Back Cap	17	Gas Lens Ceramic Cup - 4# / 5# / 6# / 7# / 8#
4	Gasket	18	Extra Long Ceramic Cup - 4# / 5# / 6# / 7# / 8#
5	Stubby Gasket	19	Extra Dia. Ceramic Cup - 4# / 5# / 6# / 7# / 8#
6	Gas Lens Insulator	20	Micro Switch
7	Large Dia. Gas Lens Insulator	21	Handle
8	Collet - 1.6MM / 2.4MM / 3.2MM	22	Cable Assembly
9	Stubby Collet - 1.6MM / 2.4MM / 3.2MM	23	Cable Assembly Cover
10	Collet Body - 1.6MM / 2.4MM / 3.2MM	24	Valve Stem